

# SYSTEM WIRING DIAGRAMS

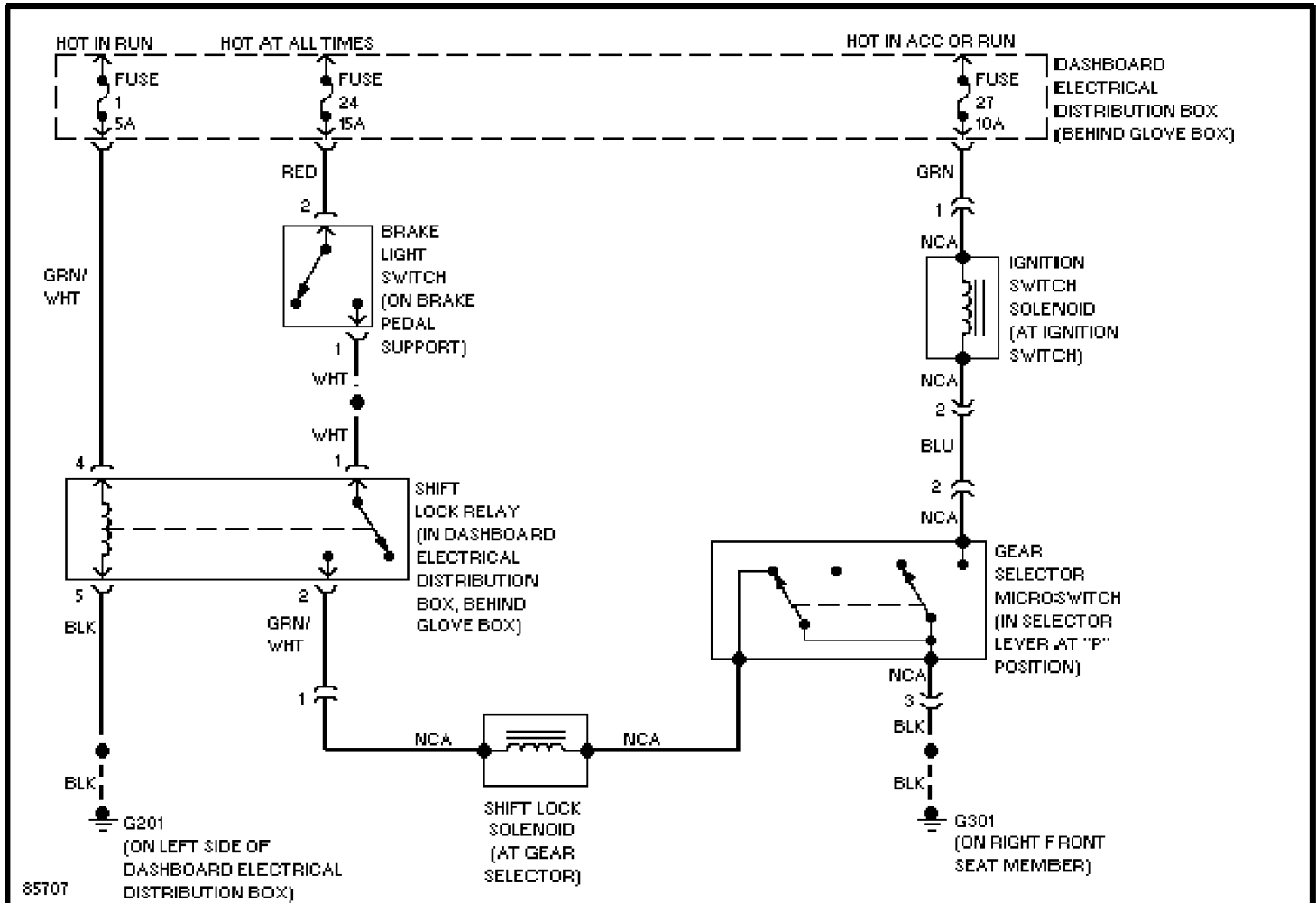
## Shift Interlock Circuit

1997 Saab 9000

For DIAKOM-AUTO <http://www.diakom.ru> Taganrog support@diakom.ru (8634)315187

Copyright © 1998 Mitchell Repair Information Company, LLC

Friday, December 15, 2000 02:24PM



65707